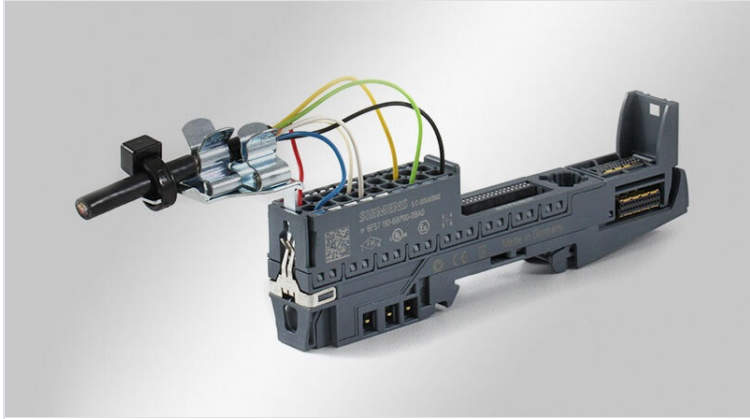


EMC



RoHS compliant



Made in Germany

EMC STFZ|SKL 1000 10000 10000 100 1000 100 10000. 100 10000 10000.

STFZ2 1000 10000/10000 10000 10000 I/O 1000 100000.

STFZ2|SKL EMC 1000 10000 1000 1000 100 10000 100 100000.

Siemens SIMATIC ET 200SP 100000 1000 1000 1000 1000 STFZ-SP|SKL 100000000.

STFZ|SKL 1000 1000 100 100

STFZ|SKL:

Bosch Rexroth: IP20 Inline 100

PHOENIX CONTACT: 100 INLINE 1000, 1000 1.4 2.4 100 I/O 1000 1000 10000.

Pilz: 100000 130 230 100 100 PSSU 100

Siemens: 100 ET200s 1000, 1000 40 80 100 I/O 1000 1000 10000.

TURCK: BL20 I/O 1000 1000

VIPA SLIO: 100 SLIO 1000000 40 80 100 I/O 1000 1000 10000.

WAGO: 100 WAGO I/O 1000 750 1000, 1000 40 80 100 I/O 1000 1000 10000.

Rockwell Automation / Allen-Bradley: 1734 1000

STFZ-SP|SKL:

Siemens: SIMATIC ET 200SP

STFZ-U|SKL:

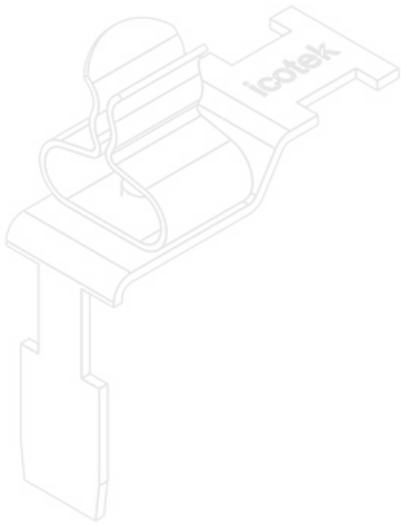
BECKHOFF: EL 3122, ES 3122, ES 9100, ES 9410, KL 1114, KS 2134

100 100

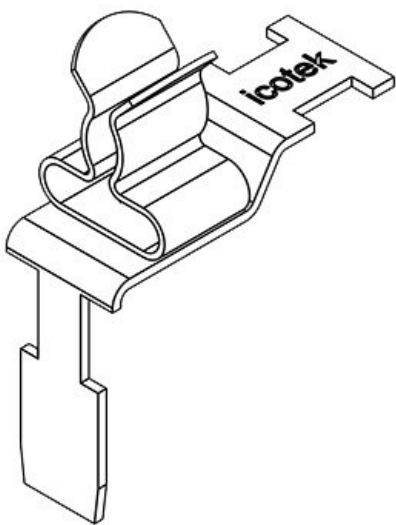
- 100 1000 100 100 100
- 1000 100 1000 1000 1000
- 1000 1000 10000 1000 100 10000. 1000 1000
- 100000 1000 1000 1000 1000 100000
- 100 100 100 10000 10000 1000 100000

1000000 1000 1000	1000 10000 1000
100 100	100-100

	37512.1	□□ □□ □□	1,5 - 3 mm
EAN	4251269305	□□ □□ □□ (□□ 1)	1,5 mm
	696	□□ □□ □□ (□□ 1)	3 mm
	10		26,5 mm
□□ □□□	Siemens	□□□□ □□	
	SIMATIC ET		11,8 mm
	200SP		32,9 mm
□□□□□ □	1		
□□□□□ □□	SKL		
□□□ □	1		

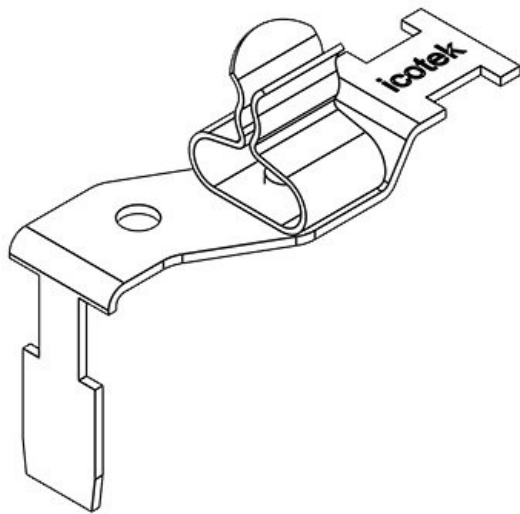


	37512.2	□□ □□ □□	3 - 6 mm
EAN	4251269305	□□ □□ □□ (□□ 1)	3 mm
	702	□□ □□ □□ (□□ 1)	6 mm
	10		26,5 mm
□□ □□□	Siemens	□□□□ □□	
	SIMATIC ET		11,8 mm
	200SP		33,6 mm
□□□□□ □	1		
□□□□□ □□	SKL		
□□□ □	1		



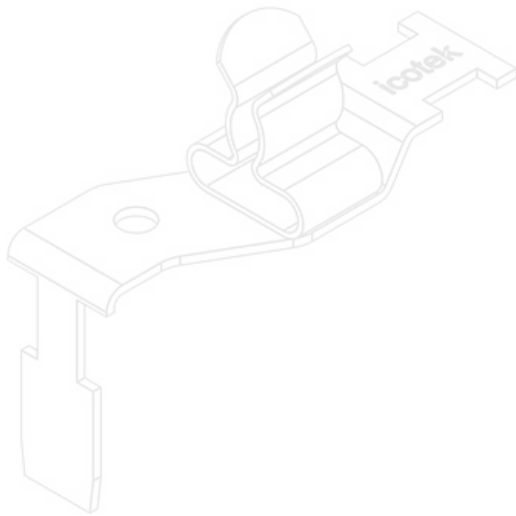


	37512.3	□□ □□ □□	6 - 8 mm
EAN	4251269305	□□ □□ □□ (□□ 1)	6 mm
	719	□□ □□ □□ (□□ 1)	8 mm
	10		26,5 mm
□□ □□	Siemens	□□□ □□	
	SIMATIC ET		11,8 mm
	200SP		35 mm
□□□□□ □	1		
□□□□□ □□	SKL		
□□□ □	1		

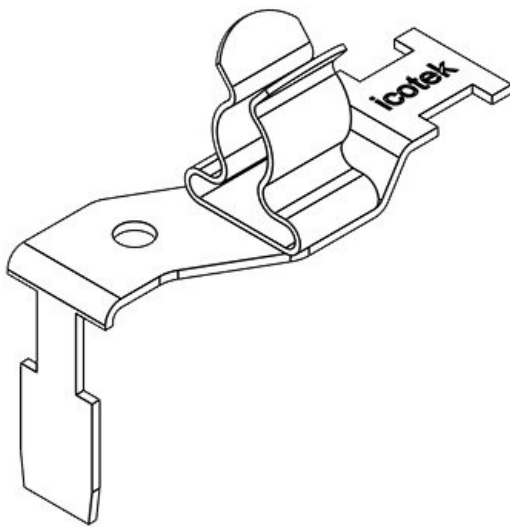


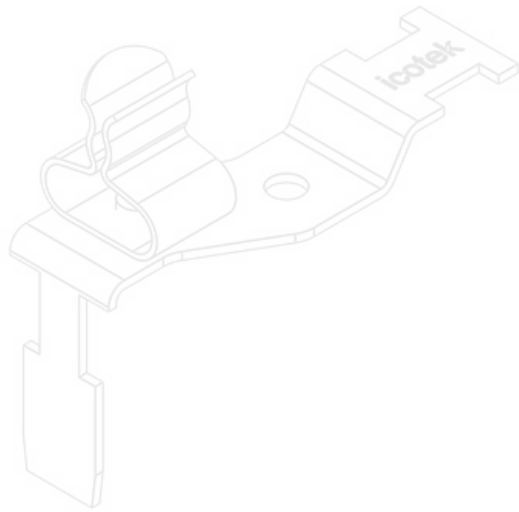
	37507.01	□□ □□ □□	- 1,5 - 3 mm
EAN	4251269305		36,5 mm
	511	□□ □□ □□ (□□ 2)	1,5 mm
	10	□□ □□ □□ (□□ 2)	3 mm
□□ □□	Siemens	□□□ □□	
	SIMATIC ET		15,9 mm
	200SP		32,9 mm
□□□□□ □	1		
□□□□□ □□	SKL		
□□□ □	1		

	37507.02	□□ □□ □□	- 3 - 6 mm
EAN	4251269305		36,5 mm
	528	□□ □□ □□ (□□ 2)	3 mm
	10	□□ □□ □□ (□□ 2)	6 mm
□□ □□	Siemens	□□□ □□	
	SIMATIC ET		15,9 mm
	200SP		33,6 mm
□□□□□ □	1		
□□□□□ □□	SKL		
□□□ □	1		

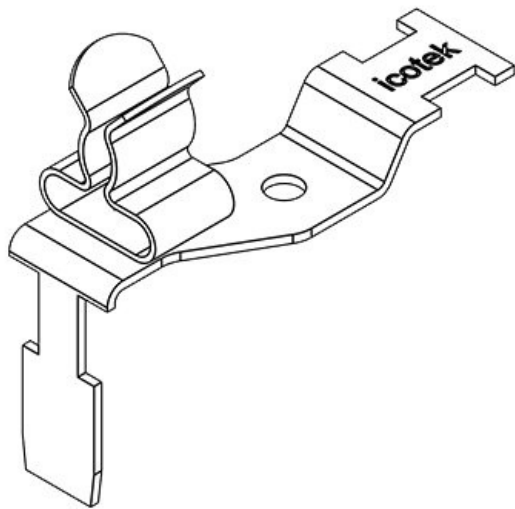


	37507.03	□□ □□ □□	- 6 - 8 mm
EAN	4251269305		36,5 mm
	535	□□ □□ □□ (□□ 2)	6 mm
	10	□□ □□ □□ (□□ 2)	8 mm
□□ □□	Siemens	□□□ □□	
	SIMATIC ET		15,9 mm
	200SP		35 mm
□□□□□ □	1		
□□□□□ □□	SKL		
□□□ □	1		



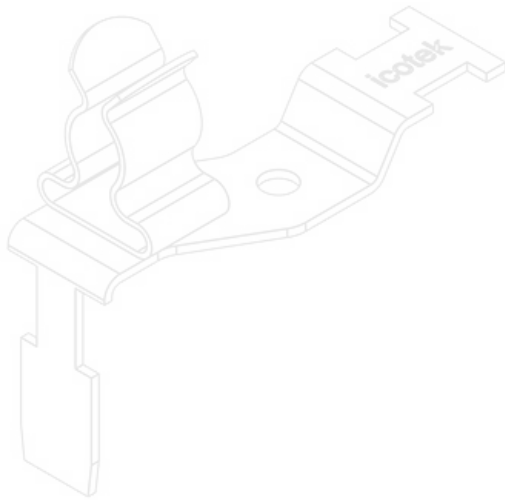


EAN	37507.10	□□ □□ □□	1,5 - 3 mm -
	4251269305	□□ □□ □□ (□□ 1)	1,5 mm
	542	□□ □□ □□ (□□ 1)	3 mm
	10		36,5 mm
□□ □□	Siemens	□□□ □□	
	SIMATIC ET		15,9 mm
	200SP		33,9 mm
□□□□ □	1		
□□□□ □□	SKL		
□□□ □	1		

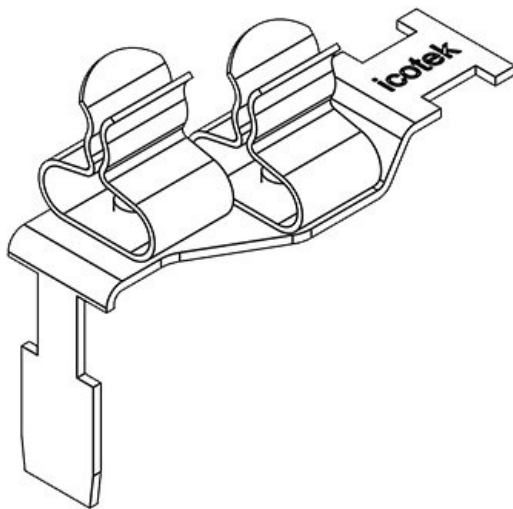


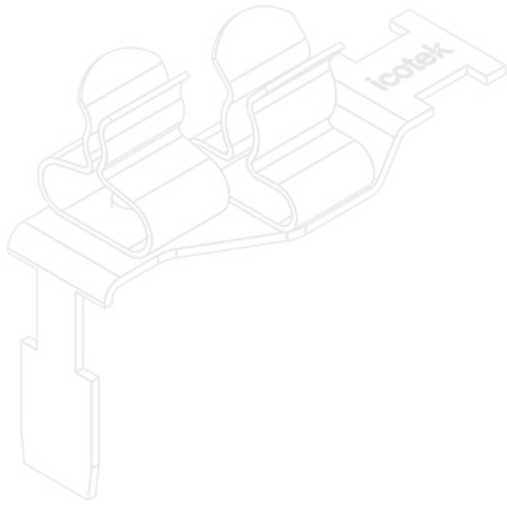
EAN	37507.20	□□ □□ □□	3 - 6 mm -
	4251269305	□□ □□ □□ (□□ 1)	3 mm
	580	□□ □□ □□ (□□ 1)	6 mm
	10		36,5 mm
□□ □□	Siemens	□□□ □□	
	SIMATIC ET		15,9 mm
	200SP		33,6 mm
□□□□ □	1		
□□□□ □□	SKL		
□□□ □	1		

	37507.30	□□ □□ □□ (□□ 1)	6 mm
EAN	4251269305	□□ □□ □□ (□□ 1)	8 mm
	627		36,5 mm
	10	□□□ □□	
□□ □□□	Siemens		15,9 mm
	SIMATIC ET		35 mm
	200SP		
□□□□□ □	1		
□□□□□ □□	SKL		
□□□ □	1		

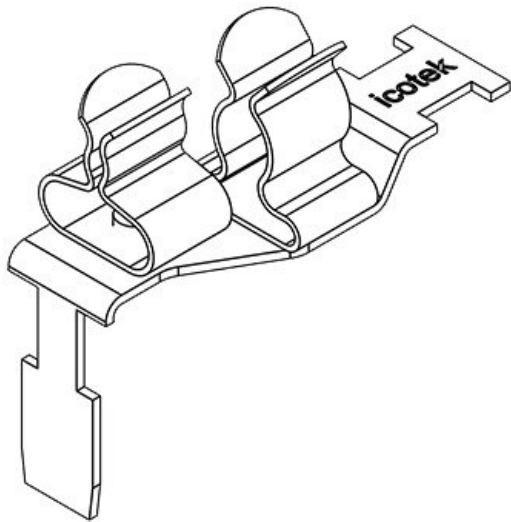


	37507.11	□□ □□ □□	1,5 - 3 mm
EAN	4251269305		1,5 - 3 mm
	559	□□ □□ □□ (□□ 1)	1,5 mm
	10	□□ □□ □□ (□□ 1)	3 mm
□□ □□□	Siemens		36,5 mm
	SIMATIC ET	□□ □□ □□ (□□ 2)	1,5 mm
	200SP	□□ □□ □□ (□□ 2)	3 mm
□□□□□ □	2	□□□ □□	
□□□□□ □□	SKL		15,9 mm
□□□ □	2		32,9 mm



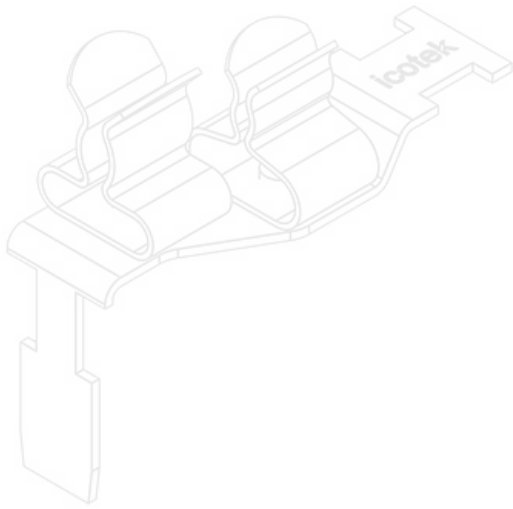


EAN	37507.12	□□ □□ □□	1,5 - 3 mm
	4251269305		3 - 6 mm
□□ □□□	566	□□ □□ □□ (□□ 1)	1,5 mm
	10	□□ □□ □□ (□□ 1)	3 mm
□□□□□ □	Siemens		36,5 mm
	SIMATIC ET	□□ □□ □□ (□□ 2)	3 mm
□□□□□ □□	200SP	□□ □□ □□ (□□ 2)	6 mm
	2	□□□□ □□	
□□□□ □□	SKL		16,8 mm
	2		33,6 mm

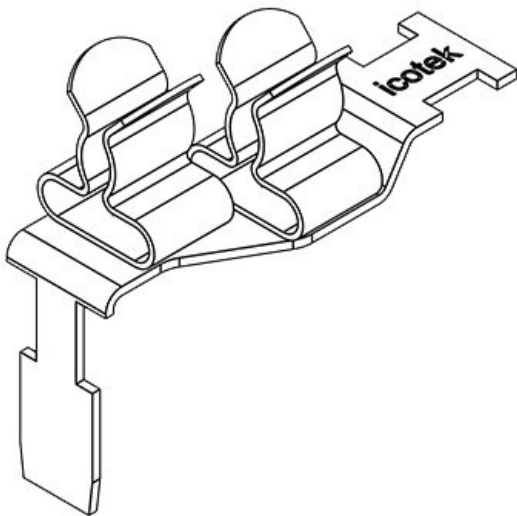


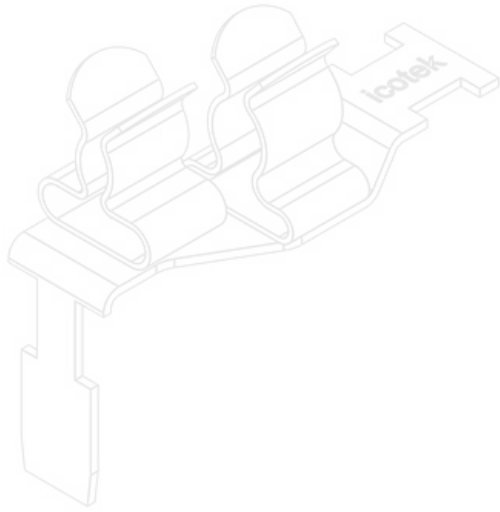
EAN	37507.13	□□ □□ □□	1,5 - 3 mm
	4251269305		6 - 8 mm
□□ □□□	573	□□ □□ □□ (□□ 1)	1,5 mm
	10	□□ □□ □□ (□□ 1)	3 mm
□□□□□ □	Siemens		36,5 mm
	SIMATIC ET	□□ □□ □□ (□□ 2)	6 mm
□□□□□ □□	200SP	□□ □□ □□ (□□ 2)	8 mm
	2	□□□□ □□	
□□□□ □□	SKL		16,8 mm
	2		35 mm

	37507.21	□□ □□ □□	3 - 6 mm
EAN	4251269305		1,5 - 3 mm
	597	□□ □□ □□ (□□ 1)	3 mm
	10	□□ □□ □□ (□□ 1)	6 mm
□□ □□□	Siemens		36,5 mm
	SIMATIC ET	□□ □□ □□ (□□ 2)	1,5 mm
	200SP	□□ □□ □□ (□□ 2)	3 mm
□□□□□ □	2	□□□□ □□	
□□□□□ □□	SKL		16,8 mm
□□□ □	2		33,6 mm

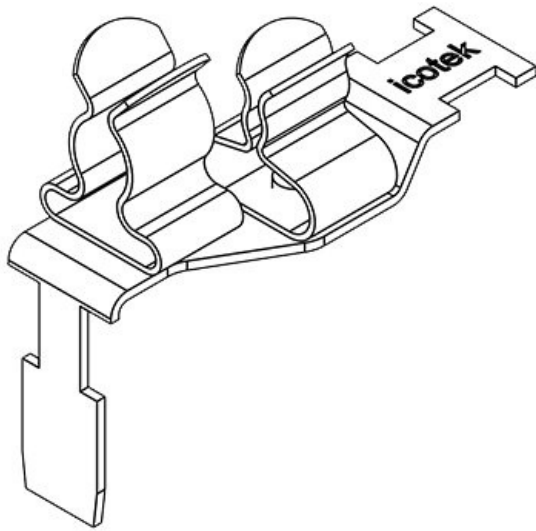


	37507.22	□□ □□ □□	3 - 6 mm 3 -
EAN	4251269305		6 mm
	603	□□ □□ □□ (□□ 1)	3 mm
	10	□□ □□ □□ (□□ 1)	6 mm
□□ □□□	Siemens		36,5 mm
	SIMATIC ET	□□ □□ □□ (□□ 2)	3 mm
	200SP	□□ □□ □□ (□□ 2)	6 mm
□□□□□ □	2	□□□□ □□	
□□□□□ □□	SKL		16,8 mm
□□□ □	2		33,6 mm



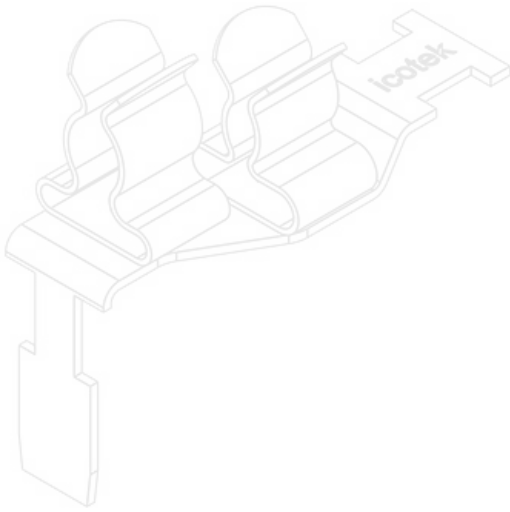


EAN	37507.23	□□ □□ □□	3 - 6 mm 6 - 8 mm
	4251269305		
	610	□□ □□ □□ (□□ 1)	3 mm
	10	□□ □□ □□ (□□ 1)	6 mm
□□ □□□	Siemens		36,5 mm
	SIMATIC ET	□□ □□ □□ (□□ 2)	6 mm
	200SP	□□ □□ □□ (□□ 2)	8 mm
□□□□□ □	2	□□□□ □□	
□□□□□ □□	SKL		16,8 mm
□□□ □	2		35 mm

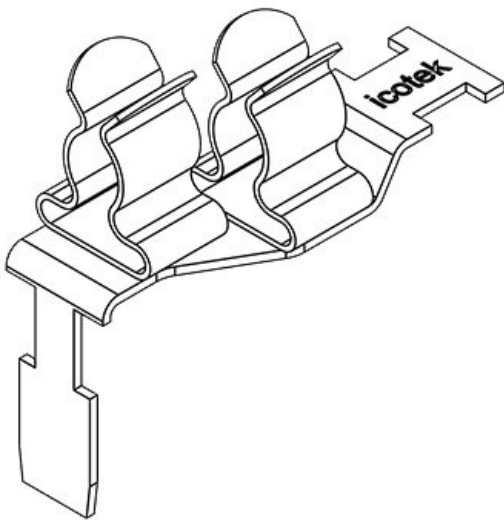


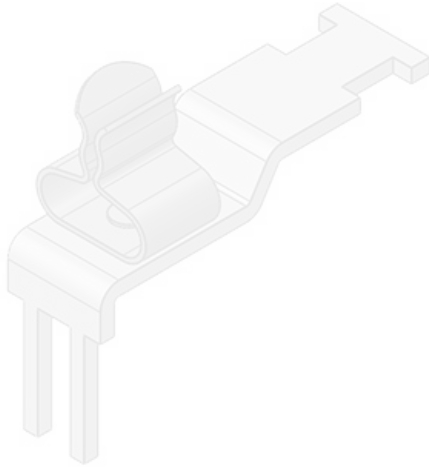
EAN	37507.31	□□ □□ □□	6 - 8 mm 1,5 - 3 mm
	4251269305		
	634	□□ □□ □□ (□□ 1)	6 mm
	10	□□ □□ □□ (□□ 1)	8 mm
□□ □□□	Siemens		36,5 mm
	SIMATIC ET	□□ □□ □□ (□□ 2)	1,5 mm
	200SP	□□ □□ □□ (□□ 2)	3 mm
□□□□□ □	2	□□□□ □□	
□□□□□ □□	SKL		16,8 mm
□□□ □	2		35 mm

	37507.32	□□ □□ □□	6 - 8 mm 3 -
EAN	4251269305		6 mm
	641	□□ □□ □□ (□□ 1)	6 mm
	10	□□ □□ □□ (□□ 1)	8 mm
□□ □□□	Siemens		36,5 mm
	SIMATIC ET	□□ □□ □□ (□□ 2)	3 mm
	200SP	□□ □□ □□ (□□ 2)	6 mm
□□□□□ □	2	□□□□ □□	
□□□□□ □□	SKL		16,8 mm
□□□ □	2		35 mm

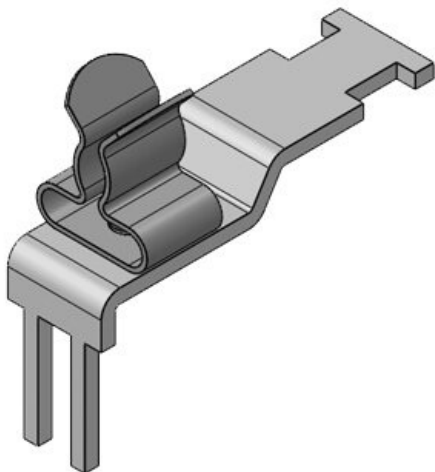


	37507.33	□□ □□ □□	6 - 8 mm 6 -
EAN	4251269305		8 mm
	658	□□ □□ □□ (□□ 1)	6 mm
	10	□□ □□ □□ (□□ 1)	8 mm
□□ □□□	Siemens		36,5 mm
	SIMATIC ET	□□ □□ □□ (□□ 2)	6 mm
	200SP	□□ □□ □□ (□□ 2)	8 mm
□□□□□ □	2	□□□□ □□	
□□□□□ □□	SKL		16,8 mm
□□□ □	2		35 mm





	37514.1	□□ □□ □□	1,5 - 3 mm
EAN	4251269305	□□ □□ □□ (□□ 1)	1,5 mm
	726	□□ □□ □□ (□□ 1)	3 mm
	10		35,5 mm
□□ □□□	Beckhoff	□□□□ □□	
	EL/ES 3122,		11,8 mm
	ES 9100, ES		29,9 mm
	9410, KL		
	1114, KS		
	2134, Omron		
	NX		
□□□□□ □	1		
□□□□□ □□	SKL		
□□□ □	1		

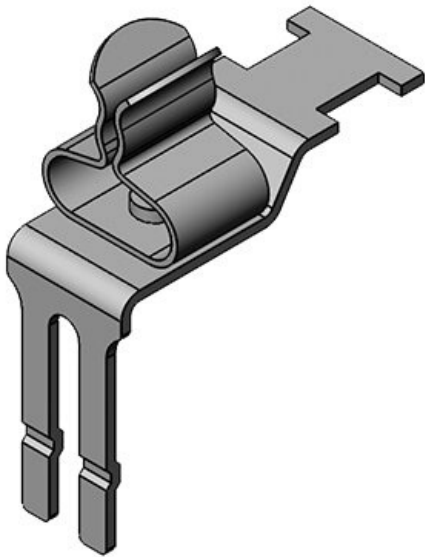


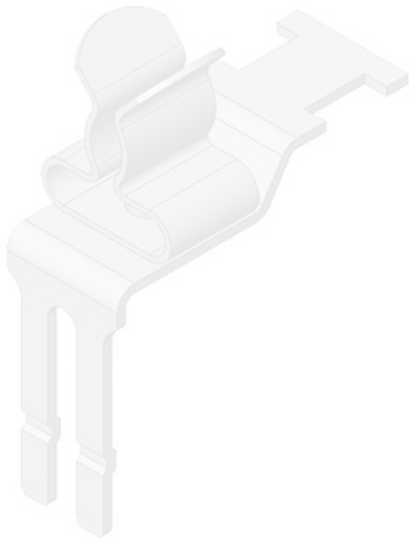
	37514.2	□□ □□ □□	3 - 6 mm
EAN	4251269305	□□ □□ □□ (□□ 1)	3 mm
	733	□□ □□ □□ (□□ 1)	6 mm
	10		35,5 mm
□□ □□□	Beckhoff	□□□□ □□	
	EL/ES 3122,		11,8 mm
	ES 9100, ES		30,6 mm
	9410, KL		
	1114, KS		
	2134, Omron		
	NX		
□□□□□ □	1		
□□□□□ □□	SKL		
□□□ □	1		

	37514.3	□□ □□ □□	6 - 8 mm
EAN	4251269305	□□ □□ □□ (□□ 1)	6 mm
	740	□□ □□ □□ (□□ 1)	8 mm
	10		35,5 mm
□□ □□	Beckhoff	□□□ □□	
	EL/ES 3122,		11,8 mm
	ES 9100, ES		31,6 mm
	9410, KL		
	1114, KS		
	2134, Omron		
	NX		
□□□□□ □	1		
□□□□□ □□	SKL		
□□□ □	1		

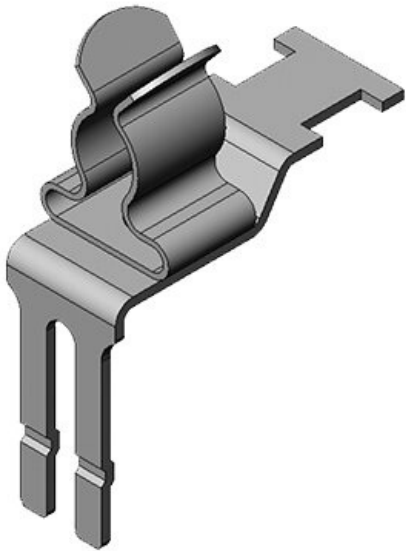


	37510.1	□□ □□ □□	1,5 - 3 mm
EAN	4251269305	□□ □□ □□ (□□ 1)	1,5 mm
	665	□□ □□ □□ (□□ 1)	3 mm
	10		26,5 mm
□□ □□	Bosch	□□□ □□	
	Rexroth		11,8 mm
	Inline (IP20),		32,9 mm
	Phoenix		
	Contact		
	Inline, Pilz		
	PSSu,		
	Siemens		
	ET200s,		
	TURCK BL20,		
	WAGO 750,		
	VIPA SLIO,		
	RA / Allen-		
	Bradley 1734		
□□□□□ □	1		
□□□□□ □□	SKL		
□□□ □	1		

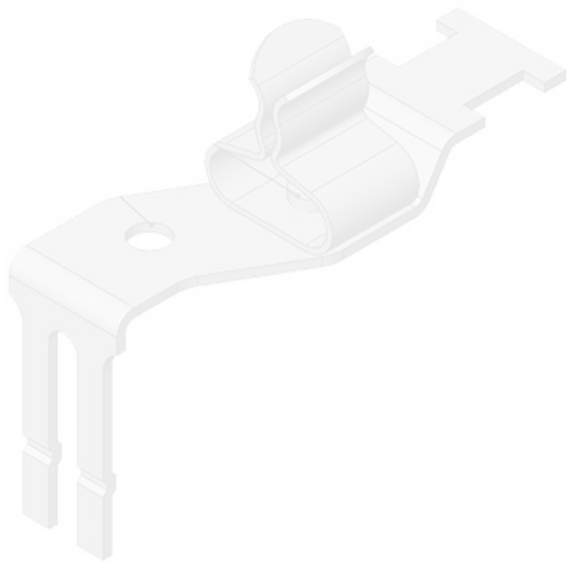




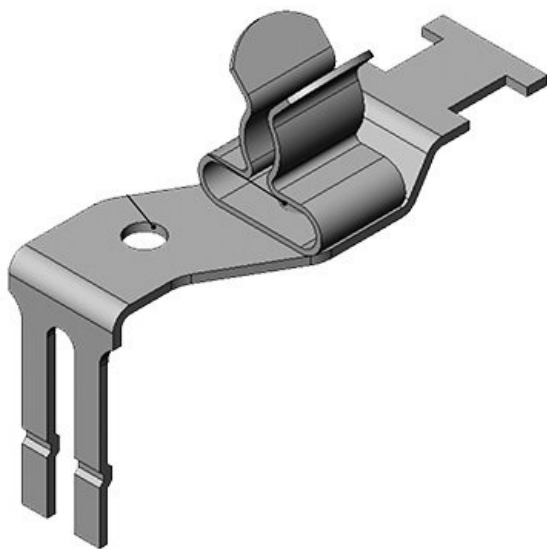
	37510.2	□□ □□ □□	3 - 6 mm
EAN	4251269305	□□ □□ □□ (□□ 1)	3 mm
	672	□□ □□ □□ (□□ 1)	6 mm
	10		26,5 mm
□□ □□□	Bosch	□□□ □□	
	Rexroth		11,8 mm
	Inline (IP20),		33,6 mm
	Phoenix		
	Contact		
	Inline, Pilz		
	PSSu,		
	Siemens		
	ET200s,		
	TURCK BL20,		
	WAGO 750,		
	VIPA SLIO,		
	RA / Allen-		
	Bradley 1734		
□□□□□ □	1		
□□□□□ □□	SKL		
□□□ □	1		



	37510.3	□□ □□ □□	6 - 8 mm
EAN	4251269305	□□ □□ □□ (□□ 1)	6 mm
	689	□□ □□ □□ (□□ 1)	8 mm
	10		26,5 mm
□□ □□□	Bosch	□□□ □□	
	Rexroth		11,8 mm
	Inline (IP20),		35 mm
	Phoenix		
	Contact		
	Inline, Pilz		
	PSSu,		
	Siemens		
	ET200s,		
	TURCK BL20,		
	WAGO 750,		
	VIPA SLIO,		
	RA / Allen-		
	Bradley 1734		
□□□□□ □	1		
□□□□□ □□	SKL		
□□□ □	1		



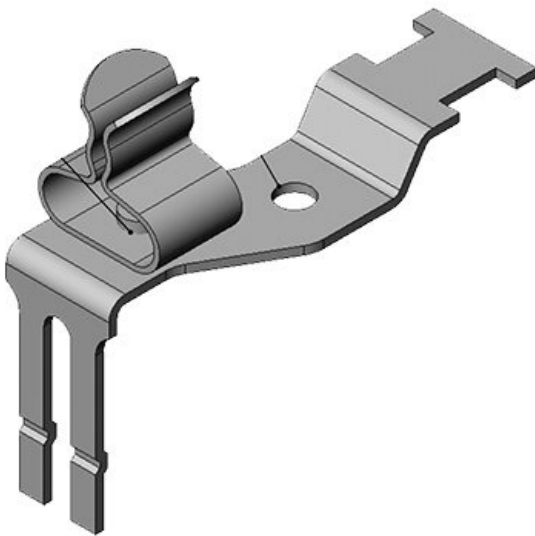
EAN	37505.01	□□ □□ □□	- 1,5 - 3 mm
	4251269305		36 mm
	368	□□ □□ □□ (□□ 2)	1,5 mm
	10	□□ □□ □□ (□□ 2)	3 mm
□□ □□	Bosch	□□□ □□	
	Rexroth		16 mm
	Inline (IP20),		33 mm
	Phoenix		
	Contact		
	Inline, Pilz		
	PSSu,		
	Siemens		
	ET200s,		
	TURCK BL20,		
	WAGO 750,		
	VIPA SLIO,		
	RA / Allen-		
	Bradley 1734		
□□□□□ □	1		
□□□□□ □□	SKL		
□□□ □	1		



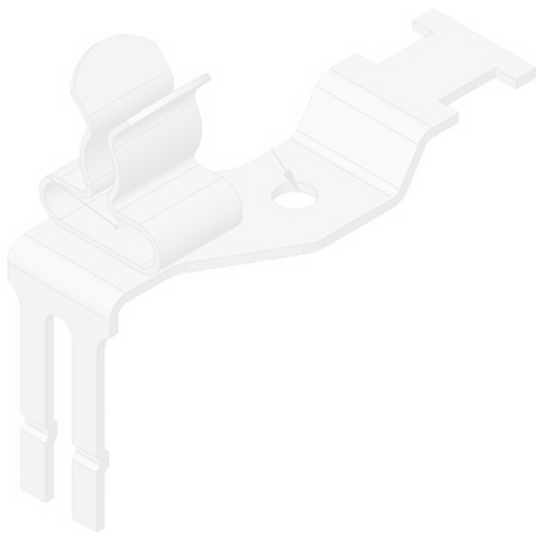
EAN	37505.02	□□ □□ □□	- 3 - 6 mm
	4251269305		36 mm
	375	□□ □□ □□ (□□ 2)	3 mm
	10	□□ □□ □□ (□□ 2)	6 mm
□□ □□	Bosch	□□□ □□	
	Rexroth		16 mm
	Inline (IP20),		34 mm
	Phoenix		
	Contact		
	Inline, Pilz		
	PSSu,		
	Siemens		
	ET200s,		
	TURCK BL20,		
	WAGO 750,		
	VIPA SLIO,		
	RA / Allen-		
	Bradley 1734		
□□□□□ □	1		
□□□□□ □□	SKL		
□□□ □	1		



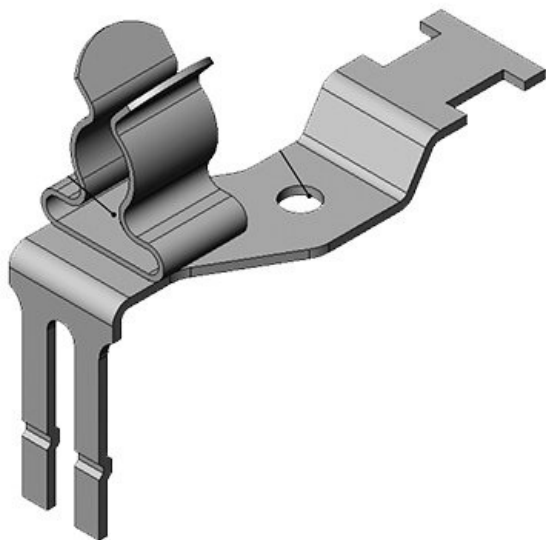
EAN	37505.03	□□ □□ □□	- 6 - 8 mm
	4251269305		36 mm
□□ □□	382	□□ □□ □□ (□□ 2)	6 mm
	10	□□ □□ □□ (□□ 2)	8 mm
	Bosch	□□□ □□	
	Rexroth		16 mm
	Inline (IP20),		35 mm
	Phoenix		
	Contact		
	Inline, Pilz		
	PSSu,		
	Siemens		
	ET200s,		
	TURCK BL20,		
	WAGO 750,		
	VIPA SLIO,		
	RA / Allen-		
	Bradley 1734		
			1
			SKL
			1



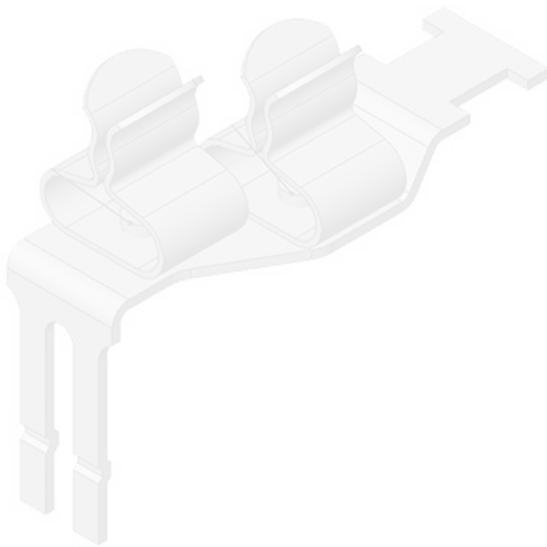
EAN	37505.10	□□ □□ □□	1,5 - 3 mm -
	4251269305	□□ □□ □□ (□□ 1)	1,5 mm
□□ □□	399	□□ □□ □□ (□□ 1)	3 mm
	10		36 mm
	Bosch	□□□ □□	
	Rexroth		16 mm
	Inline (IP20),		33 mm
	Phoenix		
	Contact		
	Inline, Pilz		
	PSSu,		
	Siemens		
	ET200s,		
	TURCK BL20,		
	WAGO 750,		
	VIPA SLIO,		
	RA / Allen-		
	Bradley 1734		
			1
			SKL
			1



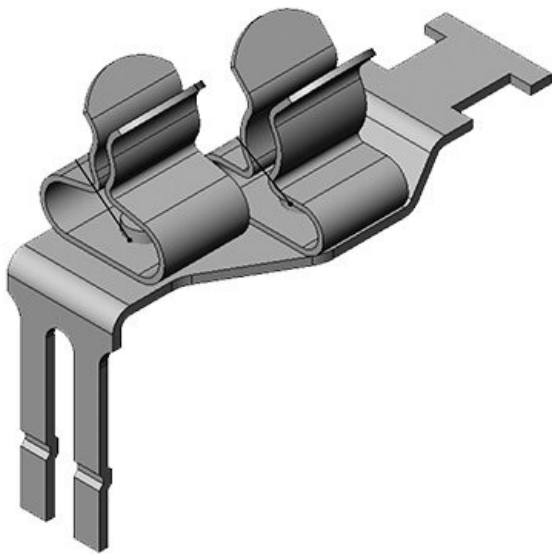
	37505.20	□□ □□ □□	3 - 6 mm -
EAN	4251269305	□□ □□ □□ (□□ 1)	3 mm
	436	□□ □□ □□ (□□ 1)	6 mm
	10		36 mm
□□ □□	Bosch	□□□ □□	
	Rexroth		16 mm
	Inline (IP20),		34 mm
	Phoenix		
	Contact		
	Inline, Pilz		
	PSSu,		
	Siemens		
	ET200s,		
	TURCK BL20,		
	WAGO 750,		
	VIPA SLIO,		
	RA / Allen-		
	Bradley 1734		
		1	
□□□□□ □		SKL	
□□□□□ □□		1	
□□□ □			



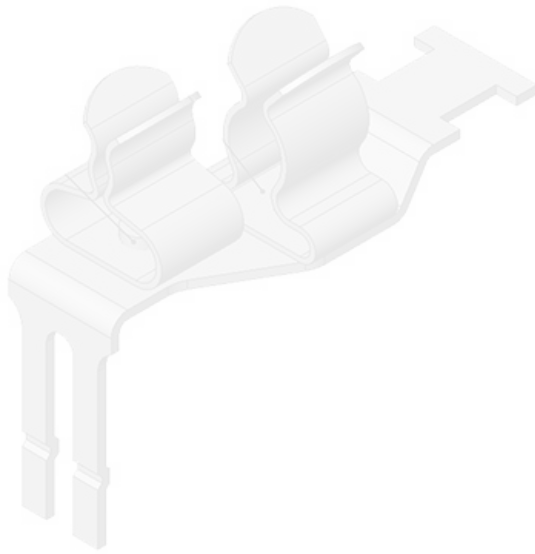
	37505.30	□□ □□ □□ (□□ 1)	6 mm
EAN	4251269305	□□ □□ □□ (□□ 1)	8 mm
	474		36 mm
	10	□□□ □□	
□□ □□	Bosch		16 mm
	Rexroth		35 mm
	Inline (IP20),		
	Phoenix		
	Contact		
	Inline, Pilz		
	PSSu,		
	Siemens		
	ET200s,		
	TURCK BL20,		
	WAGO 750,		
	VIPA SLIO,		
	RA / Allen-		
	Bradley 1734		
		1	
□□□□□ □		SKL	
□□□□□ □□		1	
□□□ □			



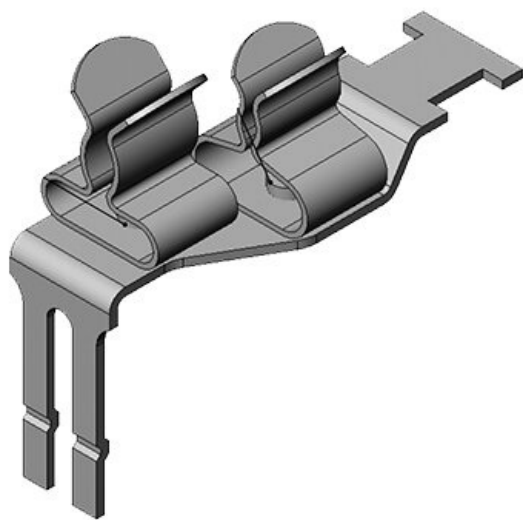
EAN	37505.11	□□ □□ □□	1,5 - 3 mm
	4251269305		1,5 - 3 mm
	405	□□ □□ □□ (□□ 1)	1,5 mm
	10	□□ □□ □□ (□□ 1)	3 mm
□□ □□□	Bosch		36 mm
	Rexroth	□□ □□ □□ (□□ 2)	1,5 mm
	Inline (IP20),	□□ □□ □□ (□□ 2)	3 mm
	Phoenix	□□□□ □□	
	Contact		17 mm
	Inline, Pilz		33 mm
	PSSu,		
	Siemens		
	ET200s,		
	TURCK BL20,		
	WAGO 750,		
	VIPA SLIO,		
	RA / Allen-		
	Bradley 1734		
□□□□□ □	2		
□□□□□ □□	SKL		
□□□ □	2		



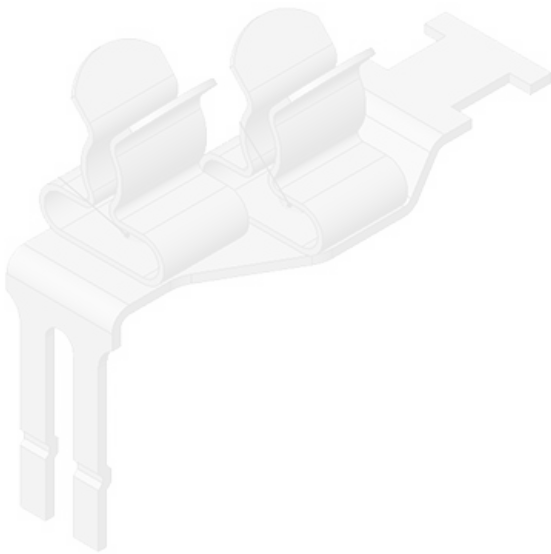
EAN	37505.12	□□ □□ □□	1,5 - 3 mm
	4251269305		3 - 6 mm
	412	□□ □□ □□ (□□ 1)	1,5 mm
	10	□□ □□ □□ (□□ 1)	3 mm
□□ □□□	Bosch		36 mm
	Rexroth	□□ □□ □□ (□□ 2)	3 mm
	Inline (IP20),	□□ □□ □□ (□□ 2)	6 mm
	Phoenix	□□□□ □□	
	Contact		17 mm
	Inline, Pilz		34 mm
	PSSu,		
	Siemens		
	ET200s,		
	TURCK BL20,		
	WAGO 750,		
	VIPA SLIO,		
	RA / Allen-		
	Bradley 1734		
□□□□□ □	2		
□□□□□ □□	SKL		
□□□ □	2		



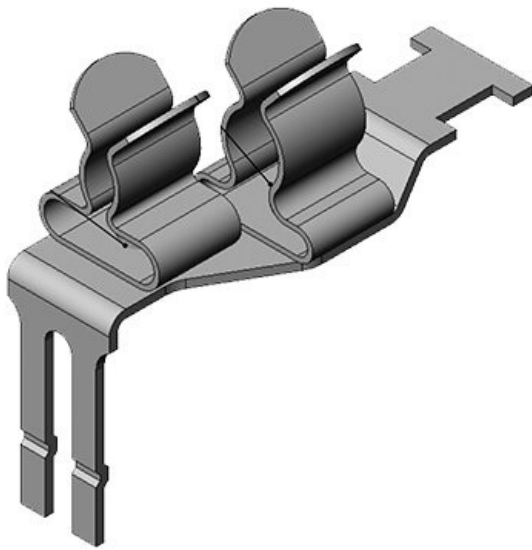
EAN	37505.13	□□ □□ □□	1,5 - 3 mm
	4251269305		6 - 8 mm
	429	□□ □□ □□ (□□ 1)	1,5 mm
	10	□□ □□ □□ (□□ 1)	3 mm
□□ □□□	Bosch		36 mm
	Rexroth	□□ □□ □□ (□□ 2)	6 mm
	Inline (IP20),	□□ □□ □□ (□□ 2)	8 mm
	Phoenix	□□□□ □□	
	Contact		17 mm
	Inline, Pilz		35 mm
	PSSu,		
	Siemens		
	ET200s,		
	TURCK BL20,		
	WAGO 750,		
	VIPA SLIO,		
	RA / Allen-		
	Bradley 1734		
		□□□□□ □	2
		□□□□□ □□	SKL
		□□□ □	2



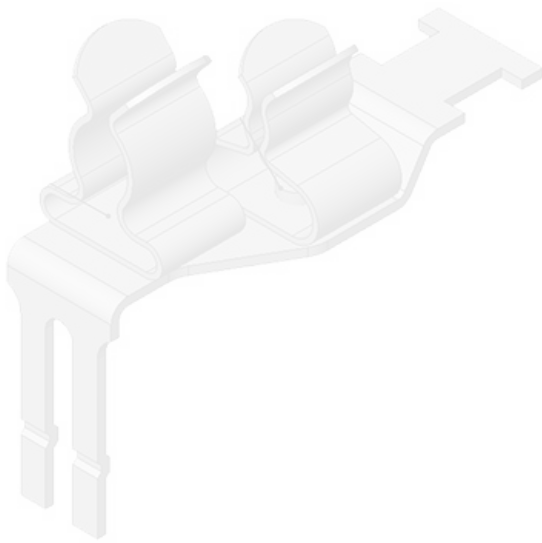
EAN	37505.21	□□ □□ □□	3 - 6 mm
	4251269305		1,5 - 3 mm
	443	□□ □□ □□ (□□ 1)	3 mm
	10	□□ □□ □□ (□□ 1)	6 mm
□□ □□□	Bosch		36 mm
	Rexroth	□□ □□ □□ (□□ 2)	1,5 mm
	Inline (IP20),	□□ □□ □□ (□□ 2)	3 mm
	Phoenix	□□□□ □□	
	Contact		17 mm
	Inline, Pilz		34 mm
	PSSu,		
	Siemens		
	ET200s,		
	TURCK BL20,		
	WAGO 750,		
	VIPA SLIO,		
	RA / Allen-		
	Bradley 1734		
		□□□□□ □	2
		□□□□□ □□	SKL
		□□□ □	2



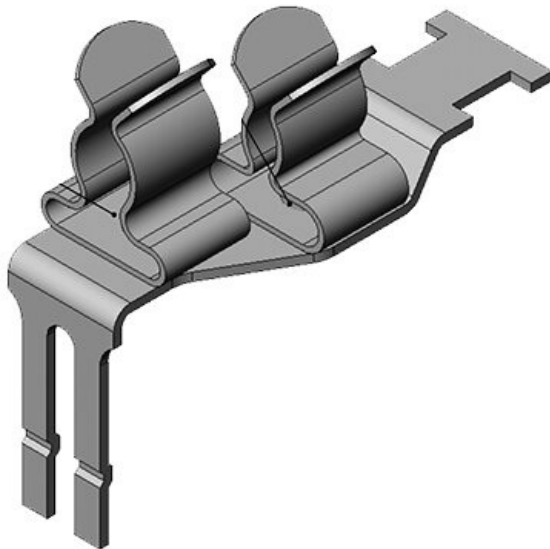
EAN	37505.22	□□ □□ □□	3 - 6 mm 3 -
	4251269305		6 mm
	450	□□ □□ □□ (□□ 1)	3 mm
	10	□□ □□ □□ (□□ 1)	6 mm
□□ □□□	Bosch		36 mm
	Rexroth	□□ □□ □□ (□□ 2)	3 mm
	Inline (IP20),	□□ □□ □□ (□□ 2)	6 mm
	Phoenix	□□□ □□	
	Contact		17 mm
	Inline, Pilz		34 mm
	PSSu,		
	Siemens		
	ET200s,		
	TURCK BL20,		
	WAGO 750,		
	VIPA SLIO,		
	RA / Allen-		
	Bradley 1734		
□□□□□ □	2		
□□□□□ □□	SKL		
□□□ □	2		



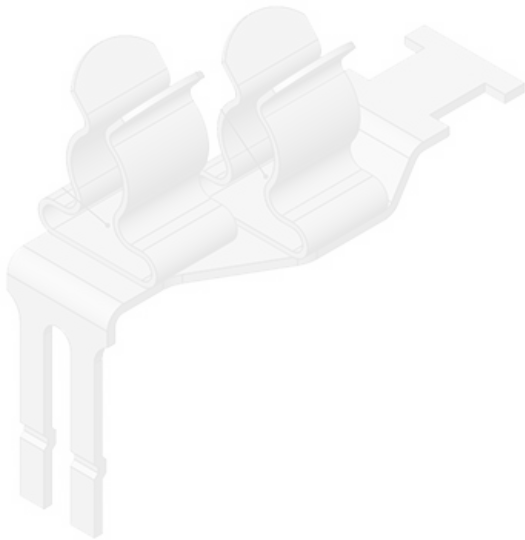
EAN	37505.23	□□ □□ □□	3 - 6 mm 6 -
	4251269305		8 mm
	467	□□ □□ □□ (□□ 1)	3 mm
	10	□□ □□ □□ (□□ 1)	6 mm
□□ □□□	Bosch		36 mm
	Rexroth	□□ □□ □□ (□□ 2)	6 mm
	Inline (IP20),	□□ □□ □□ (□□ 2)	8 mm
	Phoenix	□□□ □□	
	Contact		17 mm
	Inline, Pilz		35 mm
	PSSu,		
	Siemens		
	ET200s,		
	TURCK BL20,		
	WAGO 750,		
	VIPA SLIO,		
	RA / Allen-		
	Bradley 1734		
□□□□□ □	2		
□□□□□ □□	SKL		
□□□ □	2		



EAN	37505.31	□□ □□ □□	6 - 8 mm
	4251269305		1,5 - 3 mm
	481	□□ □□ □□ (□□ 1)	6 mm
	10	□□ □□ □□ (□□ 1)	8 mm
□□ □□	Bosch		36 mm
	Rexroth	□□ □□ □□ (□□ 2)	1,5 mm
	Inline (IP20),	□□ □□ □□ (□□ 2)	3 mm
	Phoenix	□□□ □□	
	Contact		17 mm
	Inline, Pilz		35 mm
	PSSu,		
	Siemens		
	ET200s,		
	TURCK BL20,		
	WAGO 750,		
	VIPA SLIO,		
	RA / Allen-		
	Bradley 1734		
			2
			SKL
			2



EAN	37505.32	□□ □□ □□	6 - 8 mm 3 -
	4251269305		6 mm
	498	□□ □□ □□ (□□ 1)	6 mm
	10	□□ □□ □□ (□□ 1)	8 mm
□□ □□	Bosch		36 mm
	Rexroth	□□ □□ □□ (□□ 2)	3 mm
	Inline (IP20),	□□ □□ □□ (□□ 2)	6 mm
	Phoenix	□□□ □□	
	Contact		17 mm
	Inline, Pilz		35 mm
	PSSu,		
	Siemens		
	ET200s,		
	TURCK BL20,		
	WAGO 750,		
	VIPA SLIO,		
	RA / Allen-		
	Bradley 1734		
			2
			SKL
			2



EAN	37505.33	□□ □□ □□	6 - 8 mm 6 -
	4251269305		8 mm
	504	□□ □□ □□ (□□ 1)	6 mm
	10	□□ □□ □□ (□□ 1)	8 mm
□□ □□	Bosch		36 mm
	Rexroth	□□ □□ □□ (□□ 2)	6 mm
	Inline (IP20),	□□ □□ □□ (□□ 2)	8 mm
	Phoenix	□□□ □□	
	Contact		17 mm
	Inline, Pilz		35 mm
	PSSu,		
	Siemens		
	ET200s,		
	TURCK BL20,		
	WAGO 750,		
	VIPA SLIO,		
	RA / Allen-		
	Bradley 1734		
□□□□□ □	2		
□□□□□ □□	SKL		
□□□ □	2		



EAN	61430
	1